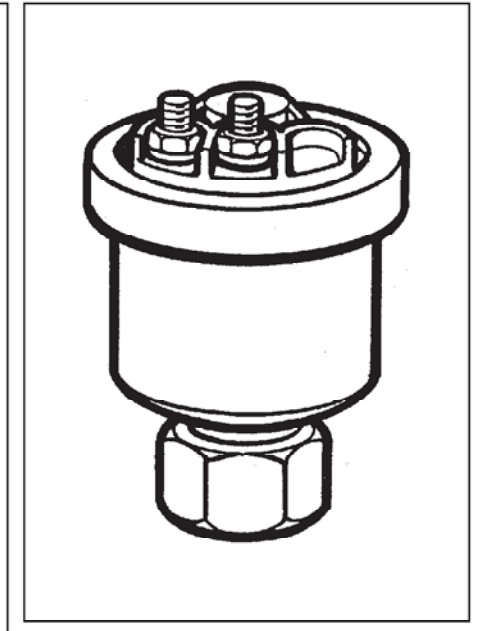
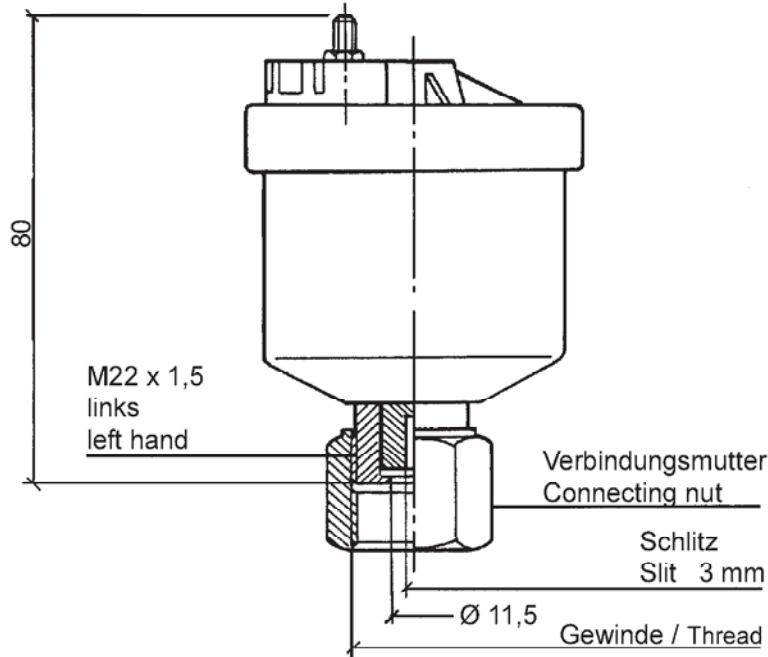


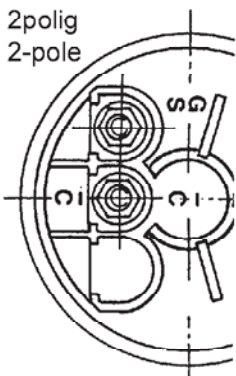
Generatorgeber

Generator-Type Sensors

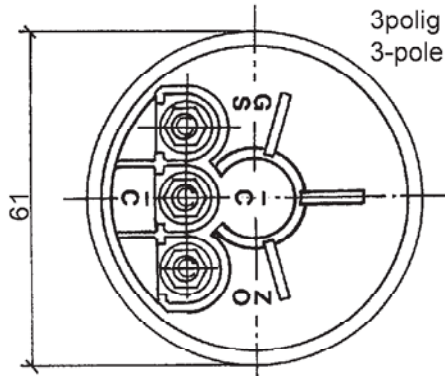
Abmaße / Dimensions (mm):



2polig
2-pole



3polig
3-pole



- G = Geber
- S = Sensor
- = Masse (Minus)
- C = Ground (Chassis)
- Z = Zähler
- O = Odometer

Anschlußart / Type of connection:

2polig 2-pole	A1 <p>(2x) M4</p>	
3polig 3-pole	B1 <p>(3x) M4</p>	B2 <p>(3x) 8-32UNC-2A</p>

